

Axle Seals, Gaskets

Outer hub seal	D90, Disco 1	FTC4785G
	D110 front	FRC8222
Swivel ball seal		FTC3401
seal retainer		RRY500180
Axle flange gasket	D90,110	FTC3646
	Disco 1, D90 '97	FTC3648
Swivel pin seal kit		STC3321P
Hub cap		FTC5414
Hub cap gasket		571752
Inner shaft seal	D110	571718
	D90 to mid '94	FTC840
	D90, Disco 1	FTC3276

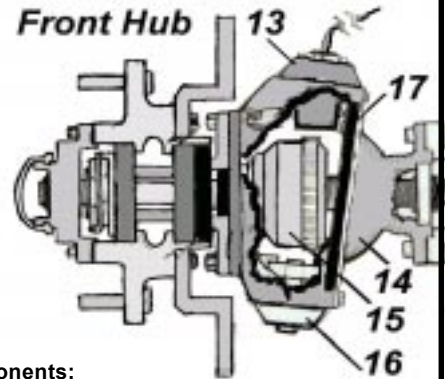
Rover type axles: for D110 Salisbury rear diff, see below.

for D110 use FRC4142
diff to swivel ball, up to '97

does one side of axle per kit

all 4 wheels except D110

up to RA930445



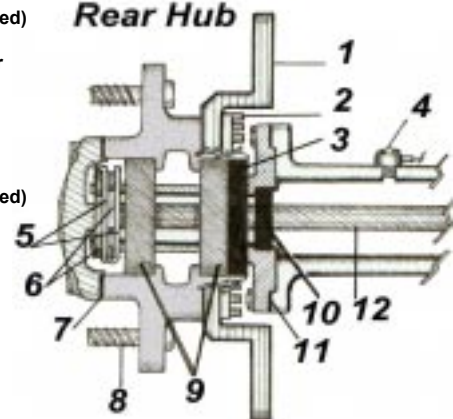
Axles / Hubs, Front

Front halfshaft assembly		
	D90, Discovery 1 left	TDB000190
	right	TDB000180
	D110	call with requirements
Axle shaft bearing		FTC861
Seal, stub axle		FTC3145
Thrust bushing, non ABS		FTC56
CV joint	D90 up to '97: use halfshaft assembly	
	D90 '97, Discovery 1	TDJ000010P
	D110	RTC6862P
Swivel pin bearing, lower		606666
Swivel pin, lower		FRC2894
Upper swivel pin,	D90 to '97:	FTC2882
	shim	call for sizes
	bearing	606666
	Discovery 1, D90 '97 only	STC226
	bearing:	FTC2065
D110	Upper pin	FRC3511
	Shim	call for sizes
	Railko bush	FRC2906
	Housing & bush	FRC2916
Upper swivel pin bearing:		
	D90 to '97	606666
	D90 '97, Disco 1	FTC2065
Upper swivel pin shims (.003)		FRC2883
Swivel drain plug	D90, Disco 1	236070
	D110	3290
Swivel fill plug	D90, Disco 1	3292
	D110	3291
Swivel level plug		FTC3670
Swivel seal kit (does one side)		STC3321P
Wheel bearings		RTC3429

Hubs and Axle Components:

1. Brake Rotor
2. ABS Sensor (when fitted)
3. Inner hub seal
4. Axle housing breather
5. Lock tabs (2 per side)
6. Hub nuts (2 per side)
7. Gasket, hub cap
8. Wheel stud
9. Wheel bearings
10. Inner hub seal (if fitted)
11. Stub axle
12. Axle shaft
13. Swivel pin
14. Swivel ball housing
15. CV joint
16. Swivel bearing

Rear Hub



pin kit; includes pin, thrust washer

Swivel Grease Packet: STC3435P or STC3435

one tube fills one swivel: easy to use, works great
STC3435P Allmakes brand STC3435 Land Rover



shims range from .003 to FRC2886 (.030): call for intermediate sizes
uses seal washer 230511



uses locker FTC3179

Axle, Rear Hub seals, wheel bearings, hubcaps, gaskets, and seals; same as front (exc. D110)

Center ball joint, all models		RHF500110
Boge self levelling unit	D110	NRC7050
Ball joint		575882
Axle shaft	D90, Disco 1 left	FTC3271
	D110 left	FRC2454
Rear hub bearings	D110	RTC3429
Inner hub seal	D110	FTC4785G
Outer seal	D110	FRC8222
Drive flange gasket	D110	FRC3988
Hub cap	D110	FRC4377

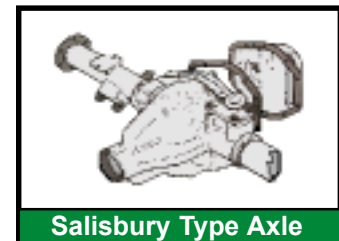
special order from UK
uses 2
right FTC3270
right FRC2455

D110 Salisbury Rear Differential

Please call with requirements: most items are in stock.



Rover Type Axle



Salisbury Type Axle