

Standard Differentials

Outer Pinion Bearing	539707	driveshaft side
Inner Pinion Bearing	539706	ring gear side
Pinion Seal	FRC8220	
Ring & Pinion Set, 3.54 ratio	FTC3620	3.54 is the stock ratio
Carrier Bearings	RTC2726	to '93, 2 required
	RTC3095	'93 on, 2 required
Spider (Side) Gear Set	RTC4486	through '92, uses spindle 599945
	STC1768	uses spindle 599945
Diff "Third Member" Gasket	7316	
Diff Protector	GAL049	fits front or rear, protects soft center section from rocks


Diff Guard GAL049
ARB Air Lockers All Range Rovers thru '95 have 'open diffs' in the axles, even with center locking diff fitted

Air Locker Gear Carrier	RD03	10 spline, through '93 (one per axle where desired; fit to rear or both)
	RD56	24 spline, '94-'95
Air Compressor	RDCKA	required to power air locker system, one per vehicle
Tire Pump Up Kit	PUKT	permits use of the compressor for airing up tires, etc.

(Replacement switches, relays, and hose lines available, plus all serviceable internal parts)

Axles, Hubs

Halfshaft Front Right	RTC6754	through '93
Halfshaft Front Left	RTC6755	through '93
Front Halfshaft Assembly RH	FTC3146	'94-on
Front Halfshaft Assembly LH	FTC3147	'94-on
CV Joint	606665	most suffix A axles: refer to photo at right:
	RTC5843P	most suffix B on, non ABS: refer to photo
	RTC6811P	with ABS through '94; H/D use RTC6811G
	TDJ000010P	'95 only (Disco axle)
Drive Flange	RUC105200	use with RTC6811: same left or right
Swivel Ball	FRC7065	non ABS, '87-'89
	FTC5105	'90 on with ABS
Swivel Seal Kit	STC3321P	does one hub: has everything you need
Swivel Ball Seal (the big one)	571890	'87-'89 1/2" wide (12.5mm)
	FTC3401	with ABS or 3/8" wide (9mm)
Inner Small Seal	571718	
Gasket: Swivel Ball to Axle	FTC3646	
Swivel Seal Retainer Plate	571755	
Swivel Pin, Lower	571819	
	FRC2894	
Swivel Bearing (Lower)	606666	
Swivel Pin (Upper)	571756	
	STC226	
Swivel Grease	STC3435P	
Gasket: Stub Axle to Swivel	FTC3648	

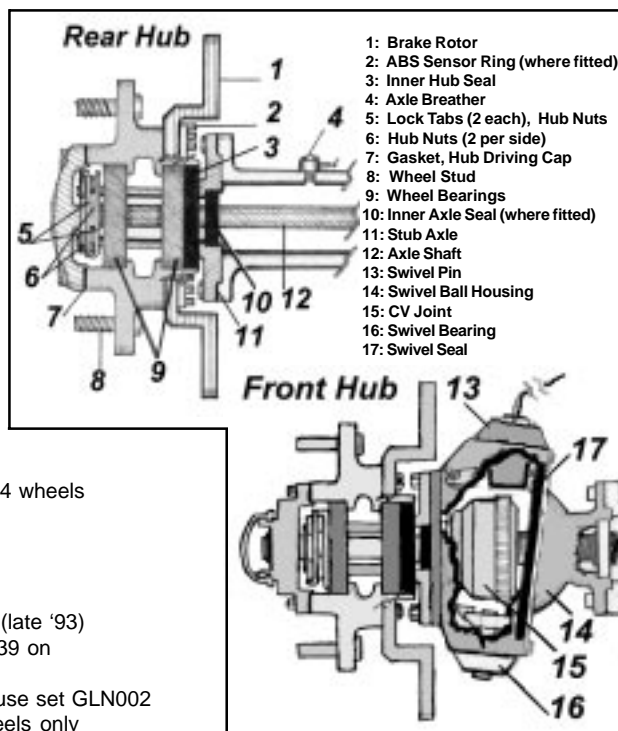

CV Joints

For non-ABS axles, make sure you check

RTC5843 606665


One-Shot Swivel Grease STC3435P

Rear Stub Axle Inner Seal	FTC3145	non ABS
Outer Hub Seal	FRC8222	with ABS
Axle Hub Cap Gasket	571752	606666
Hub Nut	FRC8700	non ABS
Hub Nut Tool	606435	with ABS
Locker, Hub Nut	FRC8002	one tube per swivel
	217352	
	217353	
Hub Seal	FTC4785	non ABS only
Wheel Bearing	RTC3429	2 required per hub
Hub Cap, Front, with ABS	FTC5414	thin wall socket


Wheels

Wheel Stud	RUF000020	for alloys to PA635838 (late '93)
Lug Nuts	NRC7415	for alloys from PA635839 on
	ANR2763MMM	for steel rims, all
	RRD500010	set of 5; for steel rims use set GLN002
Locking Lug Nuts, Alloys	GLN001	use with STC8126 wheels only
Center Cap with Logo, Alloys	ANR2391MNH	use with ANR1406 wheels only
	ANR2391MUE	black, use on all other wheels
	NRC8254	ANR4636PM Universal replacement, 16" X 6.5", black primer
Steel Wheels 1	ANR4636PM	ANR4636PM Universal replacement, 16" X 6.5", black primer
2	ANR4583PM	'Wolf', heavy duty, bead lock; 16" x 6.5", black primer


1
2
NRC7415
ANR2391MNH
Wheel Lock Set GLN001