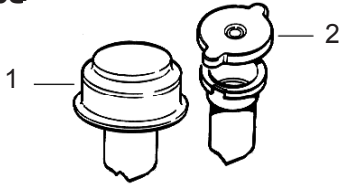
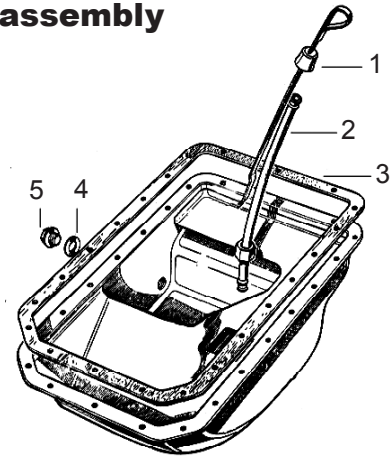


Oil filler caps



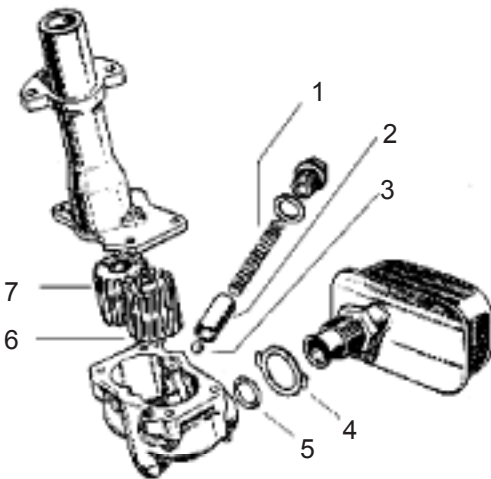
- 1 Breather type cap (pre-emissions) NLA
- 2 Sealed type cap (emissions controlled) 598231

Oil sump assembly



- 1 Dipstick ETC7867
- 2 Tube, dip stick 541860
- 3 Gasket, oil pan 546841G
- 4 Washer for drain plug 243959
- 5 Drain plug 536577

Oil pump assembly



- Oil pump, complete ERR1117
- Lock washer, pump body mounting 247665
- 1 Spring, relief 564456
- 2 Relief spring plunger 273711
- 3 Relief valve check ball 3748
- 4 Lock washer 244487
- 5 O-ring, inlet tube 244488
- 6 Idler gear with bushing 278109
- 7 Driven gear 240555

Oil Filters

- Long cartridge filter, 6-13/16 inches RTC3185
- Short cartridge filter, 4-5/8 inches RTC3184
- Grommet, oil filter canister 269889
- (seals canister bolt opening at bottom)

Spin on oil filter adaptor



- Oil filter adaptor, spin on (aftermarket) BPR1003
- Oil pressure sender unit 90519864
- Spin on oil filter ERR3340G