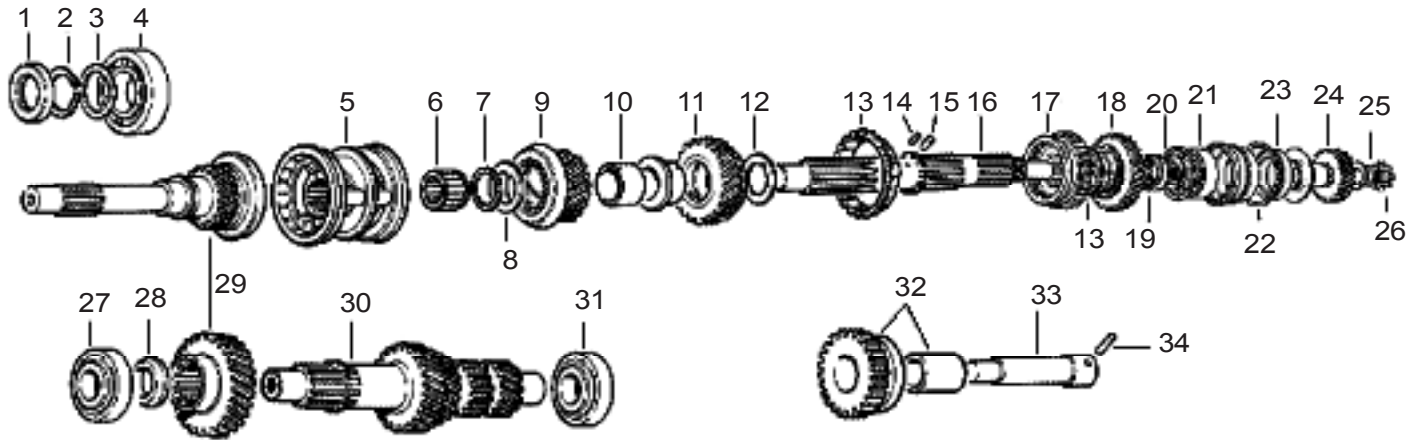


Transmission Series III



1	Oil seal, pinion shaft	571059	13	Syncro ring (2 req)	591364
2	Circlip	214795	14	Pin, main shaft distance sleeve	RTC1979
3	Shims, for pinion shaft		15	Pin, thrust washer	6405
	.079"	594021	16	Main shaft	576725
	.081"	594020	17	Reverse slider assy.	608283
	.083"	594019	18	Gear, 1st	591362
	.085"	594018	19	Bushing, 1st gear	576734
4	Bearing, front pinion	55714	20	Thrust washer, 1st gear	576735
5	Synchro assy, 3rd & 4th	FRC1758	21	Bearing, main shaft	1645
6	Bearing, rear pinion	6397	22	Circlip	RTC1984
7	Lock ring, 3rd gear	RTC1957	23	Oil seal, transmission to transfer case	236305
8	Thrust washer, 3rd gear		24	Gear, Main shaft output	218244
	.125"	RTC1962	25	Lock washer	217476
	.128"	STC1118	26	Nut	217477
	.130"	50703	27	Bearing, lay shaft front	528701
	.135"	231737	28	Lay shaft distance piece	.445"
9	Gear, 3rd	556010	29	Pinion shaft & lay shaft constant gear	606880
10	Distance sleeve	FRC4076 + FRC4077	30	Lay shaft	576686
11	Gear, 2nd	591363	31	Bearing, lay shaft rear	RTC1412
12	Thrust washer for second gear		32	Gear, reverse with bushing	576707
	.125"	267572	33	Idler shaft	591527
	.128"	267573	34	Pin, locating	591519
	.130"	267574			
	.135"	267575			