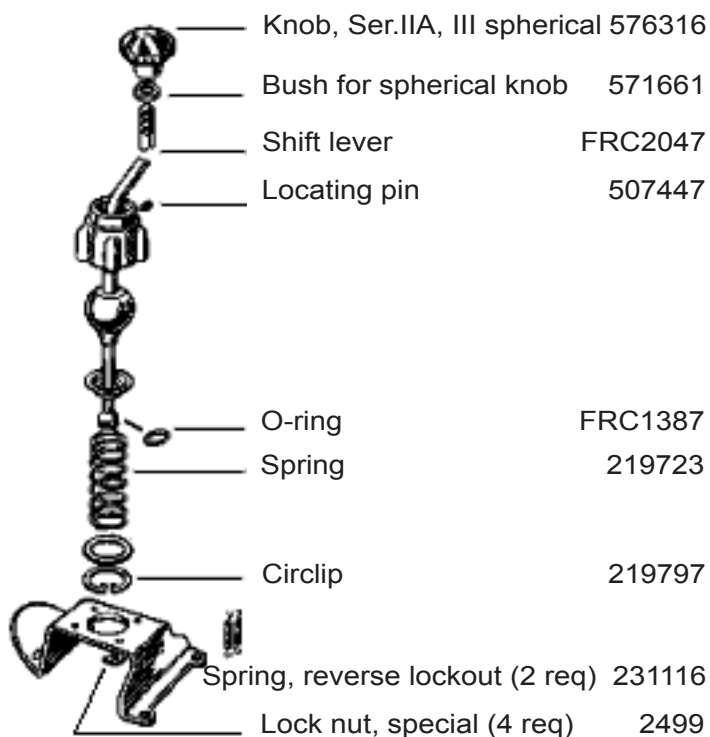
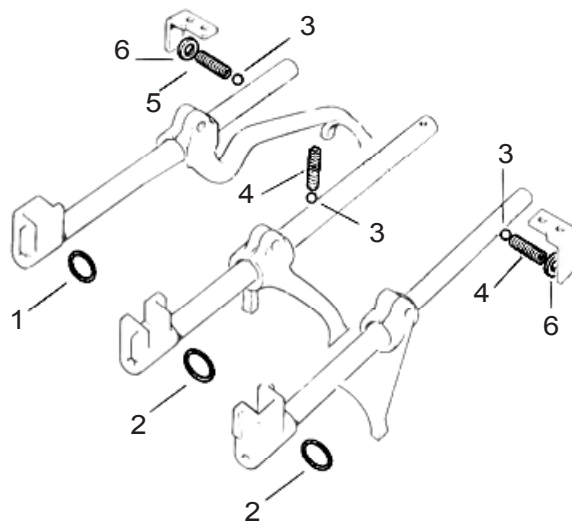


Shift Lever Assembly



Selector Shaft Related Parts



- | | |
|--------------------------------|---------|
| 1 O-ring, reverse shaft | 272597 |
| 2 O-ring, 1st / 2nd, 3rd / 4th | 272596G |
| 3 Detent ball | BLS112L |
| 4 Spring, 1st / 2nd, 3rd / 4th | 3649 |
| 5 Spring, reverse | 56102 |
| 6 Seal, reverse, 3rd / 4th | 5852 |

Fill & Drain Plugs

Transmission

- | | |
|-----------------------|---------|
| Oil fill plug | 3292 |
| Drain plug | 540870 |
| Washer for drain plug | FRC4809 |

Transfer case

- | | |
|-----------------------|---------|
| Oil fill plug | 3292 |
| Drain plug | 235592 |
| Washer for drain plug | FRC4809 |

Axle housing, Rover

- | | |
|-----------------------|--------|
| Oil fill, hex | 3292 |
| Oil fill, slotted | 608246 |
| Drain plug, hex | 235592 |
| Drain plug, slotted | 608246 |
| Washer for drain plug | 515599 |

Axle housing Salisbury

- | | |
|------------------------|--------|
| Oil fill plug | 608246 |
| Drain plug (no washer) | 608246 |

Swivel housing

- | | |
|-----------------------|--------|
| Drain plug | 236070 |
| Washer for drain plug | 230511 |

Hand Brake Relay, Lever Parts

