

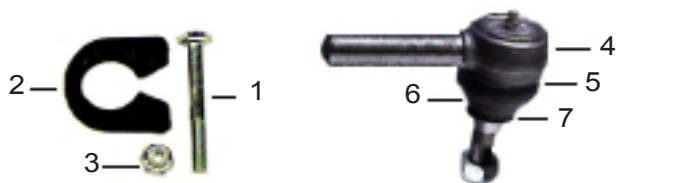
Tie Rods & Ends

Tie Rods - No ends or clamps



Drag link	NRC4609
Track (tie) rod, fits wheel to wheel	526994
Longitudinal rod, steering box to relay	276784

Tie Rod End & Clamp



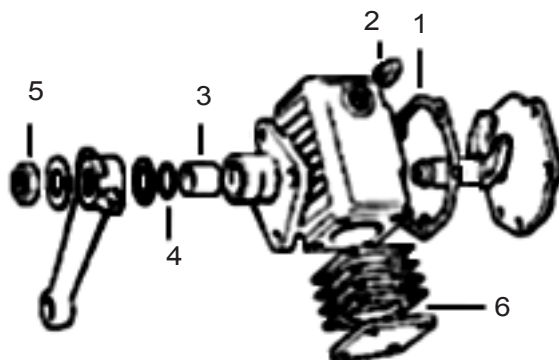
1 Bolt	BH604161L
2 Clamp	577898
3 Nut	NV604041L
4 Tie rod ends (complete)	
Left hand thread, heavy duty	RTC5868G
Left hand thread, std. replacement	RTC5868P
Right hand thread, heavy duty	RTC5867G
Right hand thread, std. replacement	RTC5867P
5 Boot clamp spring, big end	214685
6 Boot, replacement	214649
7 Boot clamp spring, small end	90214684

Steering Dampener



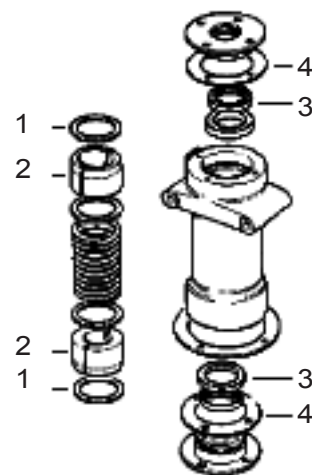
Drag link	NRC4609
Steering dampener	STC786G

Steering Box Parts complete box, page 37



1 Gasket	515849
2 Fill plug	271386
3 Bushing, rocker shaft	261850
4 O-ring	271013
5 Lock nut, for drop arm	NT612061
6 Gasket for end plate	261857

Steering Relay



Steering relay unit, complete assy.	NRC1269
1 Thrust washer (2 req)	230760
2 Bushing, split (2 req)	537877
3 Oil seal (2 req)	213340
4 Gasket, for oil seal retainer (2 req)	90624436