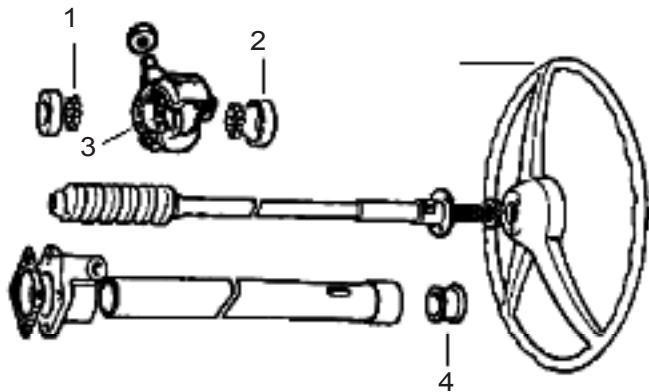


Steering & Shocks

37

Steering Column



- | | | |
|---|---|---------|
| 1 | Ball bearings, 9/32 (10 req per race) | BLS109L |
| 2 | Race (2 req) | 271384 |
| 3 | Ball bearings, 3/8 (12 req) | BLS112L |
| 4 | Bearing (Series III) | RTC324 |
| | Rubber strip | 348747 |
| | (goes around outer steering column under clamp) | |

Shock Absorbers



- | | | |
|----------------------------|--|---------|
| 88 Standard Duty | | |
| Front | | RTC4230 |
| Rear | | RTC4232 |
| 88 Heavy Duty | | |
| Front | | RTC4234 |
| Rear | | RTC4235 |
| 109 Civilian Standard Duty | | |
| Front | | RTC4483 |
| Rear | | RTC4442 |

109 Military , 1-ton
 Front RTC4231 Rear RTC4233
 (longer for use with extended shackles & bump stop extension 526608)

Old Man Emu Gas Shocks (requires bushing kit)

- | | |
|----------------------------|-----|
| 88, 109 front | N41 |
| 88 Rear | N90 |
| 109 Rear | N46 |
| Urethane shock bushing kit | B9 |



Complete Steering box and column assembly



Late Series IIA, III

NRC5961

Shock Bushings

- | | |
|-----------------------------|--------|
| 109 Rear bottom bushing | 552819 |
| 88 and other 109 bushings | 552819 |
| Cotter pin for shock mounts | 4063 |
| Washer, bushing | 264024 |

Axle Bump Stops

- | | |
|--|--------|
| All models | 241380 |
| Extension, 109 military, 1-ton
(for use with extended shackles) | 526608 |

Check Straps (not for parabolics)

- | | |
|--------------|--------|
| 88 left | 598854 |
| 88 right | 237100 |
| 109 civilian | 598598 |

HELP LINE: 661-257-8634
 24 HOUR FAX: 661-257-9765



Check our web site for our **Specials**
www.britishpacific.com