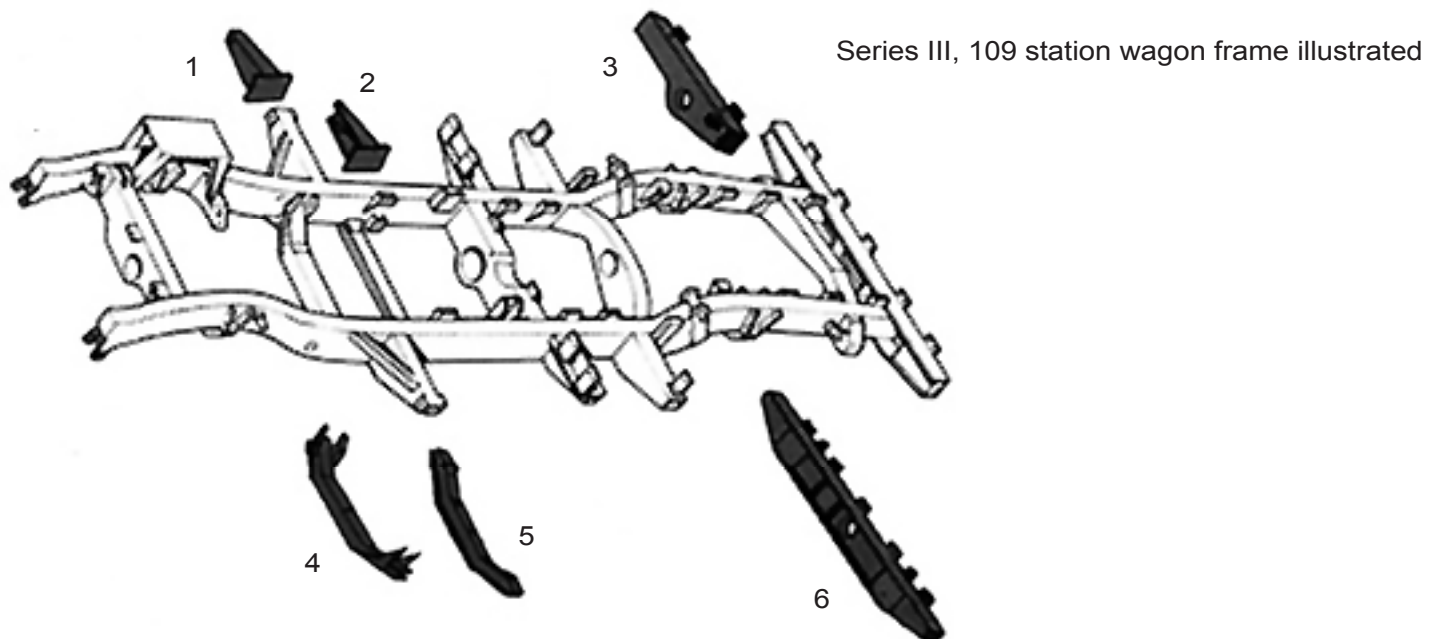


Frame Sections

British Pacific does not carry new frames. We do carry a wide range of repair sections that allows you to save both time and money by replacing just the damaged bits. Most of the time repairs with new sections do the job just fine.

Complete frames are not only expensive to purchase and ship but the labor required to remove the entire body and drive train from one chassis to another is daunting..

All frame sections fit both 88 and 109 series II, IIA and III unless specified.



Frame outriggers

Specify right or left side by adding a 'R' or 'L' behind the part number for the outrigger.

- | | | |
|---|---|----------------------|
| 1 | Fire wall outrigger. Has fire wall base attachments | LR6 |
| 2 | Front aux fuel tank outrigger 88 | LR54L |
| | Front left fuel tank outrigger 109" Regular | LR54ALH |
| | Front right fuel tank outrigger 109" Regular | LR54ARH Out of Stock |

Chassis Cross members

All cross members are for the standard NAS chassis unless specified.

- | | | |
|---|---|---------|
| 3 | Transmission rear cross member, 88
(all components require welding to fit, expect some fitting to be required) | LR93 |
| 4 | Engine cross member | LR95 |
| 5 | Transfer case cross member | LR94 |
| 6 | Rear cross member, no extensions | NRC236E |