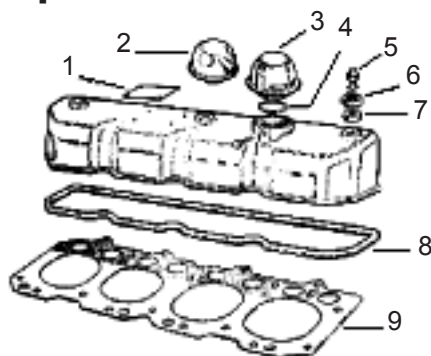
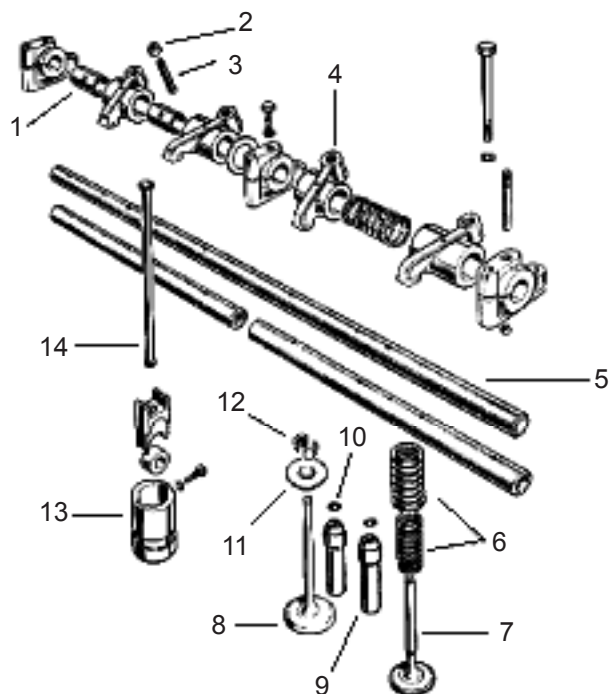


Valve Train

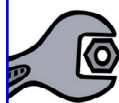
Valve Cover Components



- | | | |
|---|-----------------------------------|----------|
| 1 | "Tappet Clearance" plate | 247634 |
| 2 | Sealed cap (emissions IIA, III) | ERC2867 |
| 3 | Breather cap (Ser. II, IIA) | 247631 |
| 4 | O-ring, breather | 268887 |
| 5 | Nut, acorn (3 req) | 247121 |
| | Washer, between nut & cap (3 req) | 273069 |
| 6 | Cap, metal (3 req) | 247624 |
| 7 | grommet | 506069 |
| 8 | Gasket, valve cover, gas | ETC6439 |
| | Gasket, valve cover, diesel | ETC6438 |
| 9 | Gasket, head (gas, composite) | ERC6380 |
| | Gasket, head (gas, copper) | ERC6380C |



- | | | |
|----|--|-----------|
| 1 | Bushing, rocker arm (8 req) | 247614 |
| | (machining required after fitting) | |
| 2 | Nut, adj. screw (8 req) | NT605061L |
| 3 | Adjustment screw (8 req) | 506841 |
| 4 | Rocker arm assembly | 507829 |
| 5 | Rocker shaft | ERC6341 |
| 6 | Valve spring (8 req, stock) | ERR4640 |
| 7 | Valve, exhaust (4 req, hardened) | ERC7151 |
| | Exhaust valve seat (4 req) | ETC6278 |
| | (for unleaded gas, machining required) | |
| 8 | Valve, intake (4 req) | ERC7150 |
| 9 | Valve guide, intake (4 req) | 568686 |
| | Valve guide, exhaust (4 req) | 568687 |
| 10 | Stem seal, intake (4 req) | ERR1510 |
| | Stem seal, exhaust (4 req) | ETC4751 |
| 11 | Spring collar (8 req) | 268292 |
| 12 | Collar retainers (8 pr req) | 268293 |
| 13 | Tappet assembly (8 req) | 507829 |
| 14 | Push rod, gas, 7.2" (8 req) | 546798 |
| | Push rod, diesel, 6.5" (8 req) | 546799 |



Tech Tip

How to tell if you have a 7:1 or 8:1 compression head

Look at the center head bolt between the carburetor and the valve cover. The surface of the head under that bolt may look like the other head bolt mounting surfaces or it may be a raised flat surface about 1 inch wide that goes between the valve cover and the edge of the head.

If the mounting surface under this head bolt looks like the surface under the other head bolts, you have a 7:1 head.

If you have the raised rectangular surface look carefully to see if there is a number stamped on that surface. If there is no number or a 7 stamped there then you have a 7:1 head. If there is an 8 stamped there then you have an 8:1 head.