

NEW STYLE DIFFERENTIAL

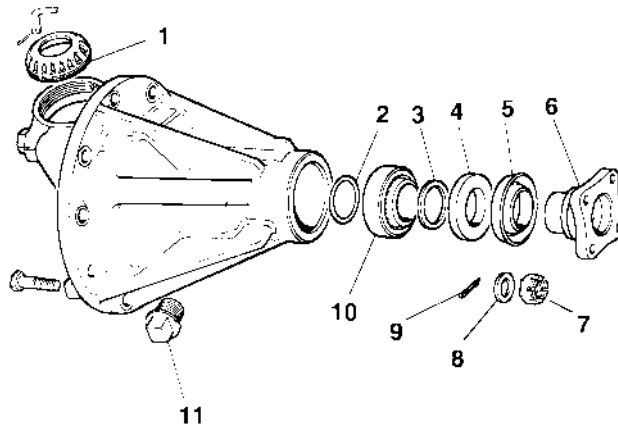
DIFFERENTIAL INTERNAL ASSEMBLY

Ref #	Description	Qty	New Style #	Old Style #
1	Diff. Gear - Larger	2	8027	3018
2	Diff. Gear - Smaller	2	8026	3017
3	Bearing, Diff. Casing	2	269	269
4	Diff. Casing	1	8029	N/A
5	Bolt, Crown Wheel	10	4	N/A
5	Bolt, Crown Wheel, Old Style	8	N/A	899
	Bolt, Lock Plate	5	N/A	622
	Bolt, Special for Crown Wheel	2	N/A	5426
6	Crown Wheel & Pinion W/Flange 4 Spline	1	5967	5967
	Crown Wheel & Pinion W/Flange 24 Spline	1	N/A	5968
7	Gasket, Assembly to Casing	1	877	877
8	Bearing, Pinion End	1	5370	267
9	Circlip for Shaft	2	8028	N/A
	Plain Pin for Shaft	2	N/A	1825
	Split Pin for Shaft	2	N/A	5693
10	Shaft for Spyder Gears, Circlip Type	1	7093	N/A
	Shaft for Spyder Gears, Pin Type	1	N/A	5364
11	Shim, Pinion End, .022 Suffix "B"	as needed	5376	N/A
11	Shim, Pinion End, .024 Suffix "B"	as needed	5377	N/A
11	Shim, Pinion End, .030 Suffix "B"	as needed	6626	N/A
11	Shim, Pinion End, .003 Suffix "A"	as needed	N/A	584
11	Shim, Pinion End, .005 Suffix "A"	as needed	N/A	585
11	Shim, Pinion End, .010 Suffix "A"	as needed	N/A	586
11	Shim, Pinion End, .020 Suffix "A"	as needed	N/A	587
	Thrust Washer, Large Spyder, .040 Suffix "A"	as needed	N/A	872
	Thrust Washer, Large Spyder, .045 Suffix "A"	as needed	N/A	184
	Thrust Washer, Large Spyder, .050 Suffix "A"	as needed	N/A	1700

Some items in this section may be available on a special order basis or phone-order only. Please call for pricing and availability.

Differential

Please call for pricing and availability.



NEW STYLE DIFFERENTIAL

DIFFERENTIAL HOUSING

Ref #	Description	Qty	New Style #	Old Style #
not shown	DIFFERENTIAL ASSEMBLY - REMANUFACTURED	2	2101	N/A
1	Nut, Differential Housing	2	1382	1382
2	Shim, Flange End, .072 Suffix "B"	as needed	6627	N/A
2	Shim, Flange End, .074 Suffix "B"	as needed	6628	N/A
2	Shim, Flange End, .076 Suffix "B"	as needed	6629	0
2	Shim, Flange End, .081 Suffix "B"	as needed	3764	N/A
not shown	Shim, Flange End, .003 Suffix "A"	as needed	N/A	1415
not shown	Shim, Flange End, .005 Suffix "A"	as needed	N/A	1416
not shown	Shim, Flange End, .010 Suffix "A"	as needed	N/A	1417
not shown	Shim, Flange End, .020 Suffix "A"	as needed	N/A	1418
not shown	Shim, Flange End, .030 Suffix "A"	as needed	N/A	N/A
3	Washer, Pinion Bearing	1	539745	N/A
4	Oil Seal, Pinion	1	65	65
5	Mudshield	1	6630	N/A
6	Flange - 4-Spline	1	6247	6247
7	Nut	1	183	183
8	Washer, Diff. Flange	1	216	216
9	Cotter Pin	1	5229	5229
10	Bearing, Flange End	1	5371	268
11	Plug, Housing Pipe Type	1	871	871
not shown	Plug, Drain, Hex Head (all)	1	5467	5467
not shown	Compression Washer for 5467	1	1293	1293
not shown	Locker, Pinion Housing, Suffix "A"	4	N/A	1254
not shown	Gasket, Oil Seal Retainer	1	N/A	1363
not shown	Filler Plug, Series II	1	N/A	3065
not shown	Compression Washer for 3065	1	N/A	3085
not shown	Gasket, Assembly to Axle Casing	1	877	877
not shown	Stud, Fixing Assembly to Casing, Short	4	6178	6178
not shown	Stud, Fixing Assembly to Casing, Long	6	6179	6179
not shown	Nut, Self Locking	10	1389	1389