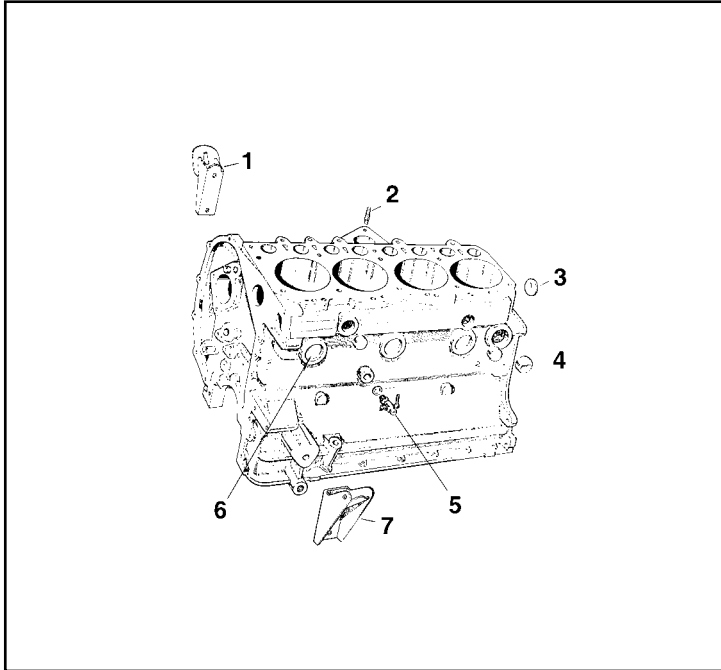


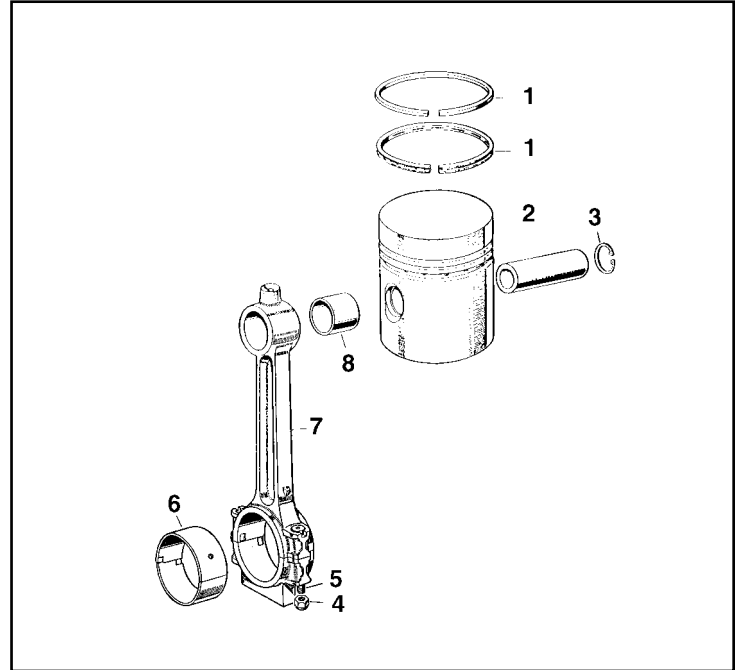
Engine



BLOCK ASSEMBLY

Ref #	Description	Qty	Part #
1	Engine Mount, RH Series I	1	*NLA 1541
not shown	Motor Mount, Rubber, 2-1/4 Petrol	2	1566
not shown	Motor Mount, Rubber, 2 & 2-1/4 Diesel	2	5765
not shown	Motor Mount, Rubber, Front 2-litre	2	141
2	Stud, For Sump	1	*NLA 1496
3	Plug, 1-1/2"	2	3996
3	Plug, 1 3/8"	2	3995
4	Plug for Redundant Heater Hole 1 NLS		
5	Drain Tap	1	4067
6	Cup Plug	3	3999
7	Engine Mount, LH, FT II & IIA	1	*NLA 1535
not shown	Cylinder Liners 2-1/4 Petrol & Diesel, all	4	4011

*NLA = No longer available.



PISTONS & RINGS

Ref #	Description	Qty	Part #
1	Piston Ring Set 2-1/4, II, IIA, III		
	Standard	4	6797
	Oversize .010	4	6984
	Oversize .020	4	6798
	Oversize .030	4	6799
	Oversize .040	4	6985
1	Piston Ring Set IIA & III Diesel		
	Standard	4	6459
	Oversize .010	4	6460
	Oversize .020	4	*NLA 6461
	Oversize .030	4	6462
	Oversize .040	4	6463
1	Piston Ring Set 2.6 Litre		
	Standard	6	3870
	Oversize .010	6	3871
	Oversize .020	6	*NLA 3872
	Oversize .040	6	3874
1	Piston Ring Set Petrol (55-58)		
	Standard 4		3860
	Oversize .020	4	3862
	Oversize .030	4	3863
	Oversize .040	4	3864
1	Piston Ring Set 2 Litre Diesel -		
	Standard	4	6448
2	Piston Assembly, 2-1/4 Petrol		
	Standard	4	6794
	Oversize .020	4	6795
	Oversize .030	4	6796
	Oversize .040	4	7026

*NLA = No longer available.